

MANUALE D'USO

ACCESSORIO TRITATUTTO

IT

INSTRUCTION MANUAL

MULTI-FOOD GRINDER ACCESSORY

EN

MANUEL D'UTILISATION

ACCESSOIRE HACHOIR

FR

GEBRAUCHSANWEISUNG

ZUBEHÖRTEIL FLEISCHWOLF

DE

GEBRUIKSAANWIJZING

HAKMOLEN

NL

MANUAL DE USO

ACCESORIO PICADORA DE ALIMENTOS

ES

MANUAL DE UTILIZAÇÃO

ACESSÓRIO PICADORA

PT

BRUKSANVISNING

TILLBEHÖR MULTIKVARN

SV

РУКОВОДСТВО ПО ЭКСПЛУАТАЦИИ

АКЦЕССУАР МЯСОРУБКА

RU

BRUGERVEJLEDNING

TILBEHØR KØDHAKKER

DA

INSTRUKCJA UŻYTKOWNIKA

MASZYŃKA DO MIELENIA

PL

 **smeg**

Dear Customer,

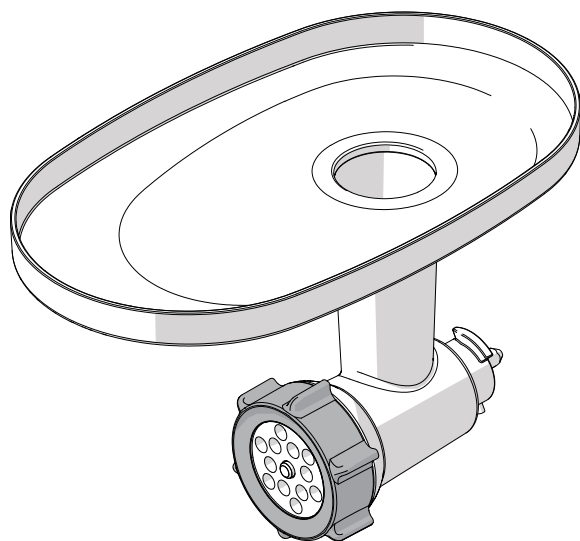
Thank you for choosing a Smeg product.

By choosing Smeg, you have selected an appliance which combines iconic style with innovative technical design and attention to detail.

This appliance coordinates perfectly with other Smeg products, or works equally well as a standalone statement piece in your kitchen.

We hope you enjoy using your new appliance!

For any further information please visit www.smeg.com or www.smegusa.com (website valid only for the USA, Canada and South America).



SMMG01
Multi-food grinder accessory

The manufacturer reserves the right to make any changes deemed useful for improvement of its products without prior notice. The illustrations and descriptions contained in this manual are therefore not binding and are merely indicative.

Contents

1 Instructions	25
1.1 Introduction	25
1.2 This user manual	25
1.3 Intended use	25
1.4 Manufacturer liability	26
1.5 Disposal	26
2 Description	27
2.1 Product description	27
2.2 Description of parts	28
2.3 Standard accessories	29
3 Use	30
3.1 Before first use	30
3.2 Assembling the multi-food grinder body	31
3.3 Installing on the stand mixer attachment	33
3.4 Using the multi-food grinder	35
3.5 Using the sausage stuffer accessory	36
3.6 Using the Kebbe accessory	37
4 Cleaning and Care	38
4.1 Instructions	38
4.2 Maintenance	38
4.3 Cleaning the surfaces	38
4.4 Cleaning the multi-food grinder accessory	38

EN

Important Safeguards

WARNING: If the instructions contained in this manual are not followed precisely, fire or explosion may result causing property damage, personal injury or death.



READ AND SAVE THESE INSTRUCTIONS - Your safety and the safety of others are very important.

We have provided many important safety messages throughout this manual and on the appliance.

Read all the instructions before using the appliance and always obey all safety messages.



Important Safeguards



RECOGNIZE SAFETY INFORMATION

This is a safety alert symbol. This symbol alerts you to potential hazards that can result in severe personal injury or death.

UNDERSTAND SIGNAL WORDS

A signal word - DANGER, WARNING or CAUTION - is used with the safety alert symbol. DANGER denotes the most serious hazards. It means you could be killed or seriously injured if you do not immediately follow the instructions. WARNING means you could be killed or seriously injured if the instructions are not followed. CAUTION indicates a potentially hazardous situation, which, if not avoided, could result in minor to moderate injury.

WARNING



- This appliance is intended for use in the home only.
- Use this appliance only for its intended purpose. The manufacturer cannot be held liable for damage caused by improper use of this appliance.
- This appliance complies with current safety regulations. Improper use of this appliance can result in personal injury and material damage.
- Read all the instructions before installing or using the appliance for the first time.
- Keep these operating instructions in a safe place and pass them on to any future user.

The safety messages will inform you of potential hazards, on how to avoid the risk of injury and what can occur if the instructions are not followed.

IMPORTANT: Observe all codes and ordinances in force.

WARNING: For your safety, the instructions contained in this manual must be followed to minimize the risk of fire or explosion and to prevent property damage, personal injury or death.

Do not store or use gasoline or other flammable vapors, liquids or materials near this or any other appliance.



NOTE: This appliance is NOT designed for installation in manufactured (mobile) homes or in recreational vehicles (RVs).

DO NOT install this appliance outdoors.

Important Safeguards



WARNING



To reduce the risk of fire, electrical shock, personal injury, or damage when using the appliance, follow basic safety precautions, including the following:

The multi-food grinder is an accessory of the stand mixer.

Follow all safety instructions in order to use the appliance safely.

- Read this user manual and the manual supplied with the stand mixer carefully before using the appliance.
- To protect against electric shock, do not immerse the appliance, the power cord or the plug in water or any other liquid.
- Do not use the stand mixer when the power cord or the plug is damaged or after the appliance malfunctions, or when the appliance has fallen or is damaged in any manner. Return appliance to the nearest authorized service center for examination, repair or adjustment.
- If the power cord is damaged, it must be replaced by the manufacturer, its service agent or similarly qualified persons in order to avoid a hazard.
- The cable is short to prevent accidents. Do not use an extension cord.
- Do not let cord hang over edge of table or counter or touch hot surfaces.
- Do not pull on the cord to unplug it from the power socket.
- This appliance shall not be used by children.
- Keep the appliance and its cord out of reach of children.
- Do not place the appliance above or near lit gas or electric burners, inside an oven or near other heat sources.
- Switch off the appliance immediately after use.
- Always disconnect the appliance from the supply if it is left unattended and before assembling, disassembling or cleaning.
- This appliance can be used by children aged from 8 years and above if they have been given supervision or instruction concerning use of the appliance in a safe way and if they understand the hazards involved.
- Cleaning and user maintenance shall not be made by children unless they are aged from 8 years and above and supervised.
- Do not leave the appliance unattended while it is operating.
- In case of fault, repairs should only be carried out by a qualified technician.
- Never try to put out a fire or flames with water: turn off the appliance, remove the plug from the socket and smother the flames with a fire blanket or any other appropriate cover.
- Do not modify the appliance.



Important Safeguards

For the appliance and the multi-food grinder accessory

- Unplug the appliance from the power socket after use and before cleaning it.
- Do not use the multi-food grinder accessory if the stand mixer power cord or the plug is damaged, or if the stand mixer has been dropped or is damaged in any manner.
- Do not use the multi-food grinder accessory if it is damaged.
- Do not leave the multi-food grinder accessory unattended during operation.
- Do not make modifications to the multi-food grinder accessory.
- Do not try to repair the multi-food grinder accessory yourself or without the assistance of a qualified technician.
- Do not install, remove or replace standard accessories with the safety lock disengaged (motor head lowered).
- Do not use your hands to push foods into the tray. Use the specific pusher accessory.
- The grinder discs and cutter are sharp. Be very careful when handling them.
- Never use your fingers to remove food residue from the discs while the appliance is plugged in or operational. Danger of cuts!
- Foods must not contain stones, pits or other hard objects.
- Let cooked food cool down before cutting it, as the thicker consistency will give better results.
- Let the appliance cool down before cleaning.
- Do not touch moving parts while the appliance is operating. Keep hands, hair, clothing, spatulas and other objects at a safe distance from the multi-food grinder accessory to avoid personal injury and/or damage to the stand mixer and multi-food grinder accessory.
- Only use original accessories provided and supplied by the manufacturer. The use of non-original components, utensils and accessories could lead to personal injury or damage to the stand mixer and multi-food grinder accessory.
- Do not use harsh detergents or sharp objects to wash or remove residues from the bowl, utensils and multi-food grinder accessory.
- Keep a close eye on children and ensure they do not play with the appliance.
- Turn off the stand mixer before fitting or removing the multi-food grinder accessory.
- Do not remove the multi-food grinder accessory while the stand mixer is operating. Check that the speed selector is in the 0 (OFF) position.
- Let the multi-food grinder accessory cool down before cleaning.
- Do not use harsh detergents or sharp scrapers when cleaning the multi-food grinder accessory.
- Do not place objects on top of the multi-food grinder accessory.

SAVE THESE INSTRUCTIONS

Important Safeguards



1 Instructions

1.1 Introduction

Key information for the user:

Instructions



General information on this user manual, on safety and final disposal.

Description



Description of the multi-food grinder.

Use



Information on using the multi-food grinder.

Cleaning and care



Information regarding the proper cleaning and maintenance of the multi-food grinder.



Safety instructions



Information



Advice

1.2 This user manual

This user manual is an integral part of the multi-food grinder accessory and must therefore be kept in its entirety and in an accessible place for the whole working life of the multi-food grinder accessory.

1.3 Intended use

- The multi-food grinder accessory has been designed specifically for domestic use.
- Use the multi-food grinder accessory only in combination with the stand mixer produced by the same manufacturer.
- Use the multi-food grinder accessory indoors.
- The multi-food grinder accessory can be used for mincing/grinding meat, cheese, nuts without shells, fish, dry bread, etc. to make various types of food preparations such as fillings, breadcrumbs, pâté, etc.
- The multi-food grinder accessories can be used to stuff sausages or to make Kebbe.
- Do not use the multi-food grinder accessory for purposes other than for its intended use.
- The multi-food grinder accessory may not be used by people (including children) of reduced physical, sensory or mental capacity, or without sufficient experience and knowledge, unless they are supervised or instructed by adults who are responsible for their safety.



Important Safeguards

1.4 Manufacturer liability

The manufacturer shall not be held responsible for personal injuries or property damage caused by:

- Using the accessories for purposes other than those intended;
- Not having read the user manual;
- Tampering with any part of the accessories;
- Using non-original spare parts
- Not following the safety instructions.

1.5 Disposal



Power voltage Danger of electrocution

- Turn off the appliance.
- Unplug the appliance from the wall outlet.
- **Old appliances do not belong in household waste!** To comply with current legislation, old appliances, having reached the end of their useful lives, should be taken to a disposal facility where they can be sorted. In this way, any valuable material contained in the old appliances can be recycled and the environment protected. Local authorities or their waste disposal operators can provide further information.

Our accessories are packed in non-polluting and recyclable materials.

- Dispose of the packing materials at an appropriate disposal facility.



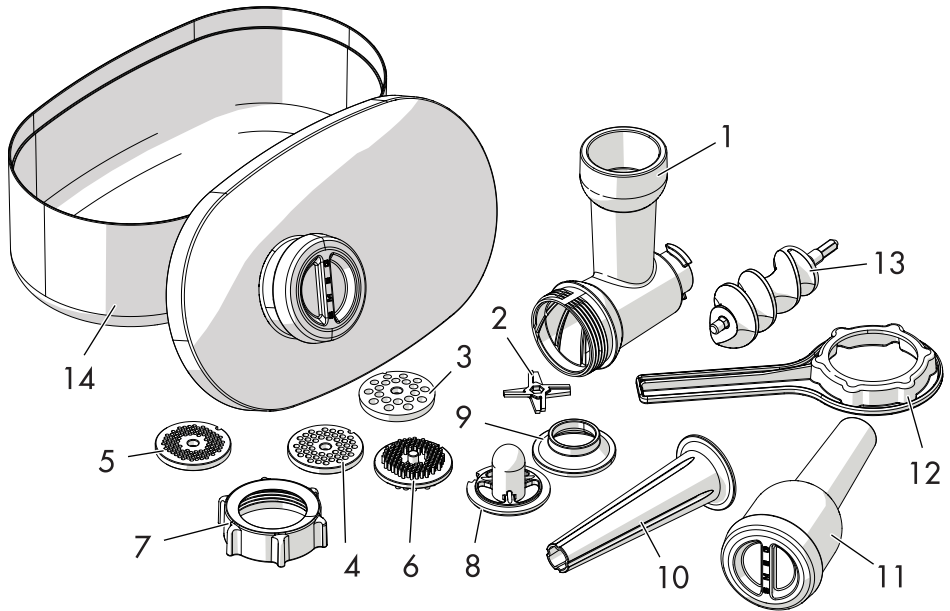
Plastic packaging Danger of suffocation

- Do not leave the packaging or any part of it unattended.
- Do not let children play with the plastic bags.



2 Description

2.1 Product description



SMMG01 - Multi-food grinder accessory

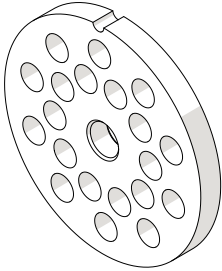
- | | |
|---|---|
| 1 Multi-food grinder body | 8 Support for Kebbe accessory and sausage stuffer |
| 2 Cutter | 9 Kebbe accessory |
| 3 Grinder disc for coarse mincing/grinding | 10 Sausage stuffer accessory |
| 4 Grinder disc for medium mincing/grinding | 11 Pusher accessory with cap |
| 5 Grinder disc for fine mincing/grinding | 12 Fastening ring nut spanner |
| 6 Silicone accessory for cleaning the fine and medium grinder discs | 13 Feed screw |
| 7 Fastening ring nut | 14 Food tray/Container with lid |



Description

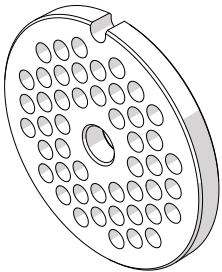
2.2 Description of parts

Grinder disc for coarse mincing/grinding



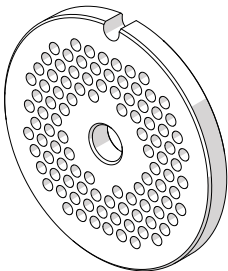
To be used to mince and grind vegetables and sauces.

Grinder disc for medium mincing/grinding



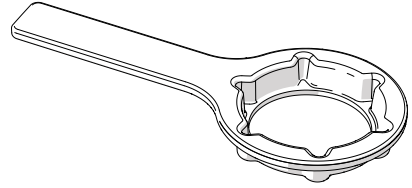
To be used for mincing/grinding raw or cooked meat, firm vegetables, nuts without shells and cheese.

Grinder disc for fine mincing/grinding



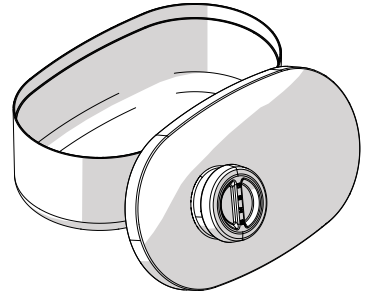
To be used for mincing/grinding raw meat, cooked meat, pâté and for making breadcrumbs.

Fastening ring nut spanner



Makes it easier to put on or remove the ring nut.

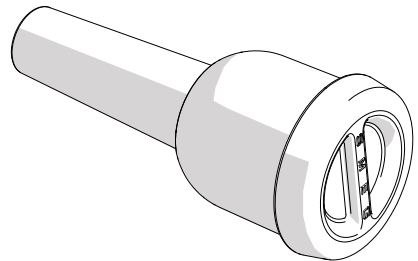
Food tray/Container with lid



To contain the food to be ground/minced during operation.

It can also be used as a container to store the multi-food grinder accessory and relative accessories after use.

Pusher accessory with cap



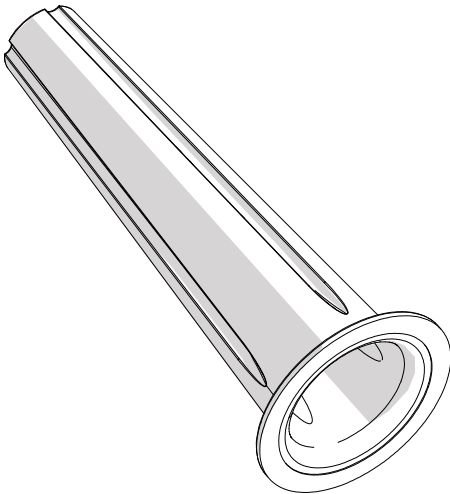
Facilitates the introduction of the food to be minced/ground into the body of the multi-food grinder accessory.

It also functions as a container for unused accessories (discs, sausage stuffer accessory, etc.) which can be housed inside it.



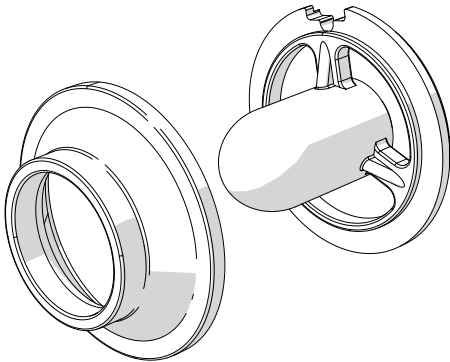
2.3 Standard accessories

Sausage stuffer accessory



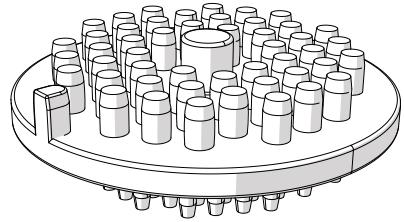
Allows you to make sausages using sausage skins.

Kebbe accessory



It simplifies the preparation and filling of Kebbe.

Silicone accessory for cleaning the fine and medium grinder discs



Useful for cleaning the grinder discs.



The accessories that may come into contact with food are made of materials that comply with the requirements of current legislation.



3 Use



Electrical Shock Hazard

- Plug into a grounded 3-prong outlet.
- Do not remove the ground prong.
- Do not use an adapter.
- Do not use an extension cord.
- Failure to follow these instructions can result in death, fire, or electrical shock.

Stand Mixer US version only

Volts: 120 Volts AC only.

Hertz: 60 Hz



Your stand mixer has a 3-prong grounded plug. To reduce the risk of electrical shock, this plug will fit into an outlet only one way. If the plug does not fit in the outlet, contact a qualified electrician. Do not modify the plug in any way.

- Do not use an extension cord. If the power supply cord is too short, have a qualified electrician or service technician install an outlet near the appliance.
- A short power supply cord (or detachable power supply cord) should be used to reduce the risk resulting from becoming entangled in or tripping over a longer cord.
- Longer detachable power supply cords or extension cords are available and may be used if care is taken when using them.

If a longer detachable power supply cord or extension cord is used:

- The marked electrical rating of the power supply cord or extension cord should be at least as great as the electrical rating of the appliance.
- The cord should be arranged so that it will not hang over the countertop or tabletop where it can be pulled on by children or tripped over unintentionally.
- If the appliance is of the grounded type, the extension cord should be a grounded, 3-prong cord.

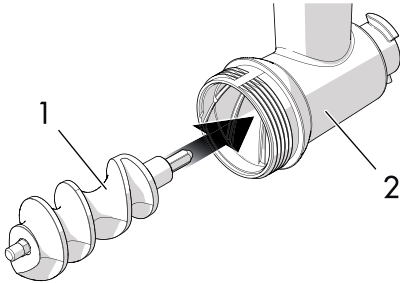
3.1 Before first use

1. Remove any protective packaging from the outside or inside of the multi-food grinder accessory.
2. Remove any labels from the multi-food grinder accessory.
3. Clean the multi-food grinder accessory (see "4 Cleaning and Care").



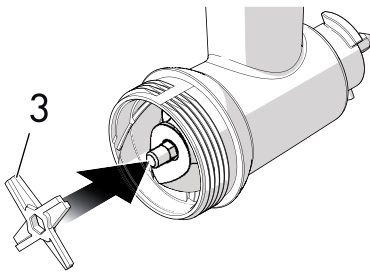
3.2 Assembling the multi-food grinder body

1. Insert the feed screw (1) into the body of the multi-food grinder (2).

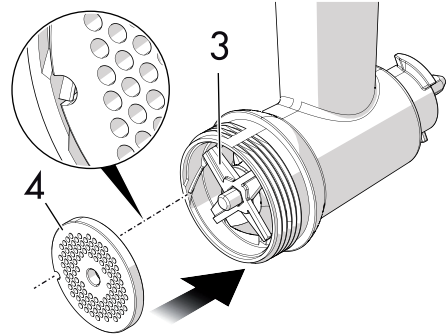


How to install the multi-food grinder discs

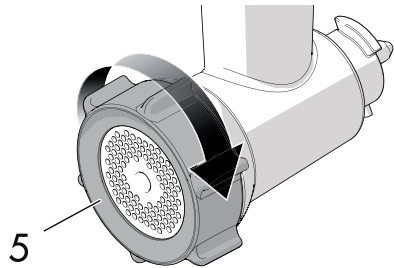
1. Insert the cutter (3) onto the end of the feed screw with the cutting part facing outwards.



2. Position one of the three grinder discs (4) supplied on the cutter (3), according to the final texture you wish to obtain.



3. Screw the fastening ring nut (5) onto the multi-food grinder body, using the ring nut spanner if required, without overtightening.



Sharp parts
Danger of cuts

- The cutter is sharp. Be very careful.



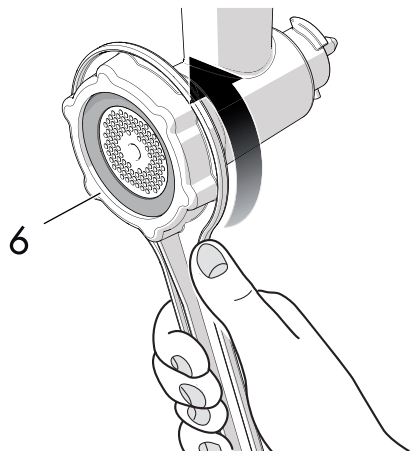
Sharp parts
Danger of cuts

- The cutter is sharp. Be very careful.



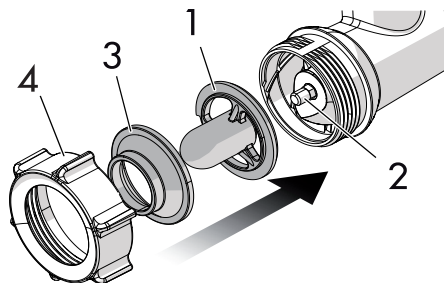
Use

4. To remove the grinder disc, unscrew the fastening ring nut, using the supplied spanner (6), if required, being very careful of the cutter.



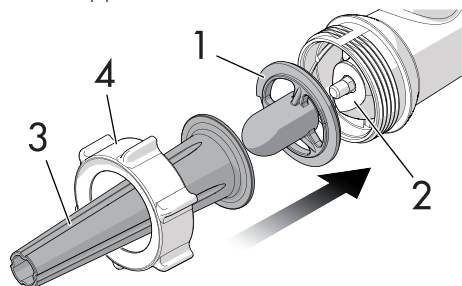
How to install the Kebbe accessory

1. Install the Kebbe accessory support (1) on the end of the feed screw (2).
2. Fit the Kebbe accessory (3) onto the Kebbe support (1).
3. Insert the fastening ring nut (4) and screw it onto the body of the multi-food grinder, without overtightening.



How to install the sausage stuffer accessory

1. Install the sausage stuffer support (1) on the end of the feed screw (2).
2. Place the sausage stuffer tube (3) against the support (1).

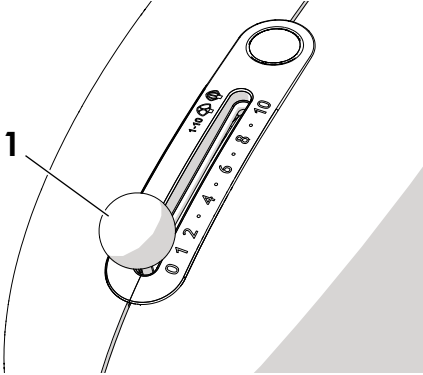


3. Insert the fastening ring nut (4) and screw it onto the body of the multi-food grinder, without overtightening.

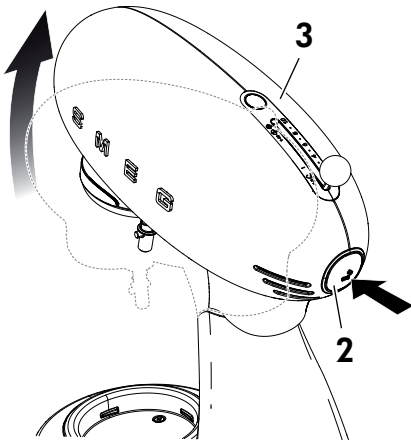


3.3 Installing on the stand mixer attachment

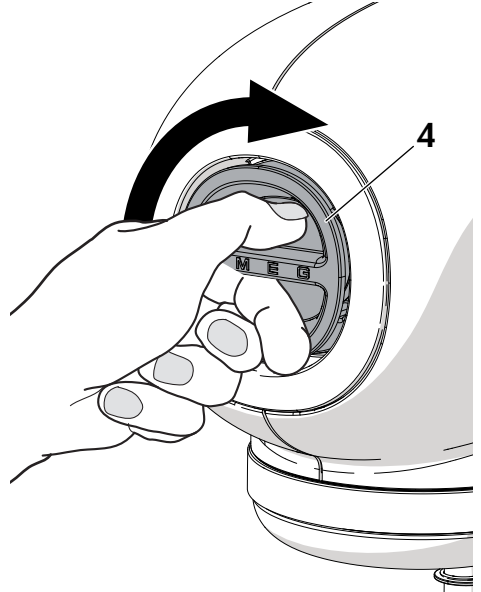
1. Turn off the stand mixer by moving the stand mixer speed selector (1) to the '0' (OFF) position.



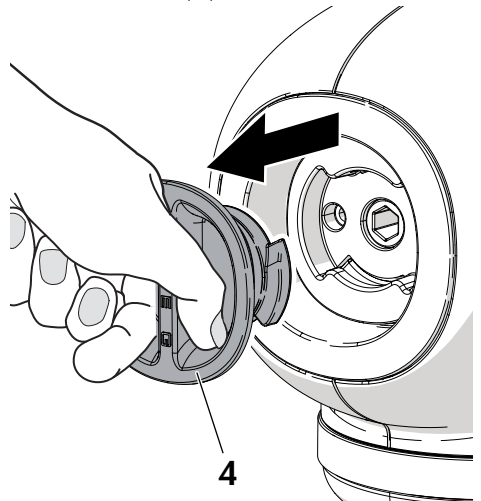
2. Remove the plug from the power socket.
3. Press the release button (2).
4. Hold down the button and raise the head (3), accompanying its movement with your hand.
5. Remove any standard accessories (dough hook, wire whisk, flat beater) which may be fitted.



6. Grasp the front attachment hub cover (4) at the centre and turn it clockwise.



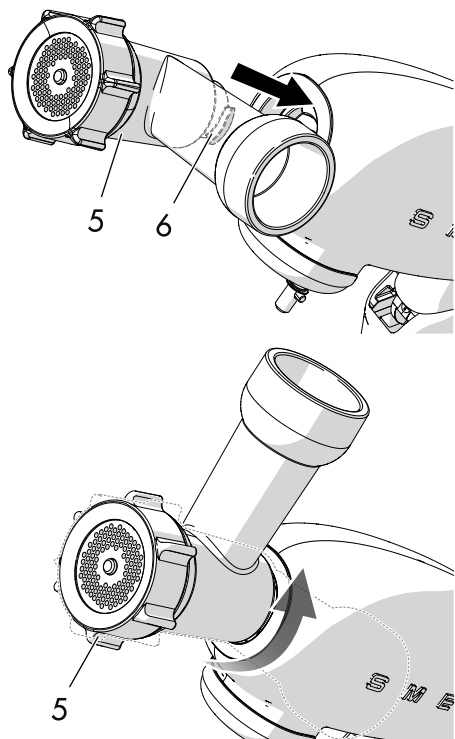
7. Pull the cover (4) to remove it.





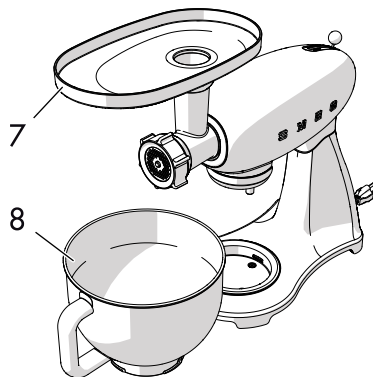
Use

8. Insert the multi-food grinder accessory (5) following the guide in the attachment hub (6), then turn it 60°.



9. Press the release button and lower the stand mixer head, supporting it with your hand as you lower it.

10. Fit the food tray (7) onto the upper part of the multi-food grinder and place the bowl of the stand mixer (8) or the multi-food grinder container under the accessory to collect the ground food.

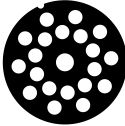
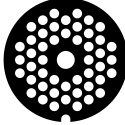





3.4 Using the multi-food grinder

1. Defrost frozen products completely before mincing/grinding them.
2. Cut food into strips or pieces and place it in the food tray.
3. Place the bowl of the stand mixer or the multi-food grinder container under the accessory to collect the minced/ground food.
4. Plug the stand mixer into a power socket and select speed **4**.
5. Use the pusher accessory to push the food inside the body of the multi-food grinder accessory. Be careful not to push too hard so as not to damage the multi-food grinder.
6. Move the stand mixer speed selector to the '0' (OFF) position to stop it.

Selecting the multi-food grinder disc for mincing/grinding

Grinder disc	Suitable for
Coarse mincing/ grinding 	Bolognese sauce and stuffing made with raw meat, fish, nuts without shells, vegetables.
Medium mincing/grinding 	Bolognese sauce and stuffing made with raw, fish, nuts without shells, cheese, vegetables and dry bread.
Fine mincing/ grinding 	Stuffing made with raw or cooked meat for meat loaves or timbale with mashed potatoes, Kebbe fillings, pâté and dry bread.

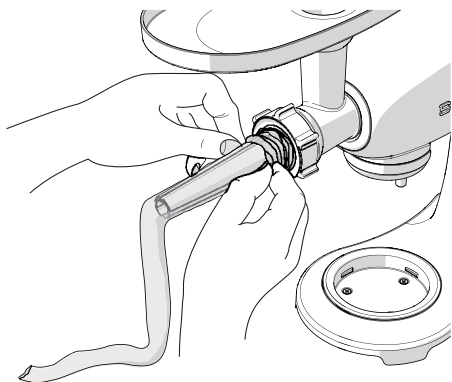


Moving parts Danger of personal injury and damage to the appliance

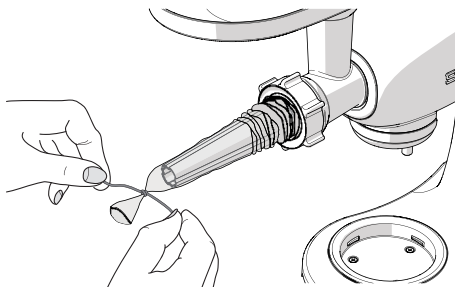
- The cutter is sharp. Be very careful when handling it.
- Keep fingers away from the openings.
- Do not touch the multi-food grinder accessory while the appliance is running.
- Do not use the multi-food grinder accessory for purposes other than the uses specified.

3.5 Using the sausage stuffer accessory

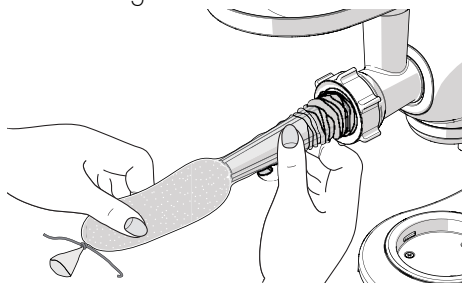
1. Prepare the stuffing for the sausages using the multi-food grinder accessory as described in section "3.4 Using the multi-food grinder".
2. Lubricate the tube with vegetable oil and thread the sausage skin over the tube.



3. Tie off the end of the sausage skin with string.



4. Plug the stand mixer into a power socket and select a low speed.
5. Slowly put the minced meat into the tube using the pusher accessory. Be careful not to push too hard so as not to damage the multi-food grinder.
6. Hold the tied end of the sausage skin with one hand and push the stuffing into the skin. Be careful not to overfill it.
7. Twist the sausage casing in order to form the sausages.

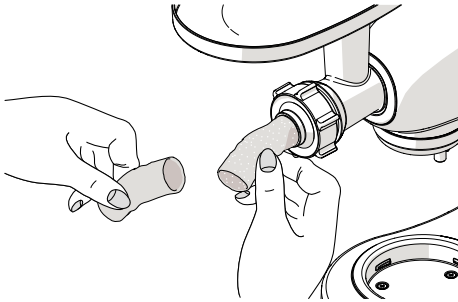


8. Move the stand mixer speed selector to the '0' (OFF) position to stop it.



3.6 Using the Kebbe accessory

1. Prepare the filling for the Kebbe.
2. Insert the stand mixer plug into the power socket.
3. Use the pusher accessory to push the stuffing inside the body of the multi-food grinder accessory.
4. Move the stand mixer speed selector to the **1** position.
5. Pass the mixture through the accessory and remove it by hand as soon as it is of the size required for the outside of the Kebbe.



6. Move the stand mixer speed selector to the '0' (OFF) position to stop it.



Risk of food poisoning

- Do not leave ingredients subject to spoiling such as dairy, etc. outside the fridge for more than one hour.

Useful tips for mincing/grinding foods and stuffing sausages

Mincing/grinding meat: Mince beef twice to obtain more homogeneous and tender results.

Making breadcrumbs: To make breadcrumbs, use either stale bread or bread which has been previously dried in the oven.

Stuffing sausages: When using natural sausage skins, these must be left to soak in cold water for 30 minutes in order to remove excess salt. Rinse them several times under cold running water.

Do not squeeze the stuffing into the skin too forcefully, but rather leave sufficient space to make links or roll up into smaller rings so it can expand during cooking.

If an air bubble is created, prick a hole in it with toothpick or pin.



Improper use

Risk of damage to the accessory

- Do not use the multi-food grinder accessory or sausage stuffer accessory to mince/grind or stuff products other than those specified in this manual.



Cleaning and Care

4 Cleaning and Care

4.1 Instructions



Improper use
Danger of electrocution

- Switch off and unplug the stand mixer before cleaning it and its standard and optional accessories.



Improper use
Risk of damage to surfaces

- Do not use steam jets for cleaning the multi-food grinder accessory.
- Do not use cleaning products that contain chlorine, ammonia or bleach.
- Do not use abrasive or corrosive detergents (e.g. powder products, stain removers and metallic sponges).
- Do not use rough or abrasive materials or sharp metal scrapers.

4.2 Maintenance

All service should be performed by an authorized service representative.

4.3 Cleaning the surfaces

To keep the surfaces in good condition, they should be cleaned regularly after use.

Use a soft cloth or a microfibre cloth to clean the surfaces.

4.4 Cleaning the multi-food grinder accessory

Completely disassemble the multi-food grinder using the spanner to loosen the fastening ring nut on the body of the multi-food grinder.

Food residue can be removed from the multi-food grinder discs using the silicone disk cleaning accessory contained inside the cap of the pusher accessory.

This accessory is composed of two profiles which adapt perfectly to the type of grinder disc to be cleaned.



The multi-food grinder accessory body, feed screw, fastening ring nut, cutter and the three grinder discs must not be washed in a dishwasher. They should be washed by hand using lukewarm water and neutral soap.

The other components may be washed in the dishwasher.

Ensure all parts of the multi-food grinder accessory are thoroughly dry before putting them away or reinstalling them.

